



TML GROUP

Technical Datasheet

UNIDACHS

7

**Operating weight: approx. 33.000 kg,
Diesel drive with 180 kW, alternatively electric drive with 132 kW
Telescopic stroke: 4.000 mm**

»» Technical specifications

740

Crawler undercarriage	
Crawler chain	B5
Base plates	Triple grouser, HD, 600 mm
Gradability	44 %
Draw bar pull	180 kN
Ground pressure	7.7 t/m ² (600 mm base plates)
Drive system	Stepless hydrostatic traction drive, independent drive for each track side
Brakes	Spring set, hydraulically released wet multi disc brake
Parking brake	Wet multi-disc brake, wear-free, automatic activation when joystick is in neutral position
Travel speed	0 – 2.2 km/h, (4.7 km/h optional)

Hydraulic system	
Type	Load - Sensing
Operating pressure	270 Bar
Hydraulic oil tank capacity	390 Liter
Safety system	Pipe break protection on the lifting cylinders
Pump type	Variable displacement pump
Filtering	Hydraulic return filter and tank breather filter
Control block	Additional working circuits for attachments optionally available

Diesel drive	
Diesel engine (EU/USA)	DEUTZ AG, Stage V, 6 cylinders, Diesel engine with diesel oxidation catalyst and particulate filter
Diesel engine (non EU/USA)	DEUTZ AG, USA Tier 3, EU Stage IIIA, 6 cylinders, Diesel engine with diesel oxidation catalyst
CO ₂ -neutral operation	Possible with paraffinic diesel fuel according to EN 15940
Rated power	180 kW (EU/USA) 160kW (non EU/USA)
Engine capacity	6,100 cm ³
Torque	1000 Nm at 1.450 min ⁻¹
Cooling	Fluid
Air Filter	2-stage, with electrical contamination indicator
Fuel tank capacity	360 Liter

Electro drive 3-Phase (alternative)	
Rated power	132 kW at 50 Hz
Voltage	380 V, 400 V, 500 V
Frequency	50 Hz or 60 Hz

»» Technical specifications

740

Upper structure

Hydrostatic slew drive with axial piston motor and planetary gear.	
Rotation	360°, continuous, endless
Rotation speed	0 – 7.5 min ⁻¹
Slewing brake	Spring set, hydraulically released wet multi disc brake

Cradle & Telescopic boom

Telescopic boom with integrated rotating unit. Fully enclosed design to protect the hoses and the tool cylinder against radiation heat and falling objects.	
Max. range	12.000 mm
Telescopic stroke	4,000 mm (737 - 3.700 mm, 732 - 3200 mm)
Rotation	360°, continuous endless
Boom rotation speed	0 – 14 min ⁻¹
Boom rotation torque	28.5 kNm
Pull and push force	160 / 170 kN
Tool ripping force	136,5 kN
Boom guide rollers	20 pcs.

Lighting

Upper structure front	2 x LED headlights
Upper structure rear	Optional
Cradle	1 x LED headlight
Surrounding warning light	1 x Yellow

Electrical system

System voltage	24 V
Battery	2 Pcs.

Paint

Undercarriage	Black, RAL 9005
Upper structure & Telescopic boom	Yellow, RAL 1007

Radio remote control

Operation via 2 joysticks. Illuminated colour display. Waist belt carrying system.	
Weight	4.5 kg

Operator's cabin

Cabin	Closed cabin, FOPS - Falling Object Protective Structure, robust safety front guard with fine-wire mesh in front of the wind screen against heat radiation heat
Heating and air conditioning	Air conditioning and heating installed
Driver's seat	Mechanically spring suspended, fully adjustable comfort seat. Joysticks are mounted on armrest, lap belt, pilot safety lever on driver's seat.
Glazing	Heat-resistant safety glass
Monitoring	Display: Indication of current machine data, automatic monitoring of operating status
Surround noise level LWA	103 db (A)
Inside cab noise level LpA	75 db (A)



RELIABLE



PRODUCTIVE

UNIDACHS - The best answer to extreme conditions

Crawler undercarriage	7 Series Heavy Metal	7 Series Hard Rock	Upper structure	7 Series Heavy Metal	7 Series Hard Rock
Chain sealed with lifetime lubrication	●	●	Rotation 360°, continuous endless	●	●
Base plates, Triple grouser, HD, 600 mm	●	●	Central lubrication system for upper structure and cradle	○	○
Base plates, Triple grouser, HD, 800 mm	○	○	Arctic Pack (hydraulic oil, engine and fuel preheating)	○	○
Rubber vulcanized tracks	○	○	Rear and side bumper	○	○
Rubber pads for base plates	○	○	Fire extinguishing system	○	○
2nd driving stage for two driving speeds	○	○	Hand-held fire extinguisher (6 kg) in protective box, attached to the upper structure	○	○
Towing circuit	○	○	Refuelling pump	○	○
Front clearing blade	○	○	Connection for external starting aid	○	○
			Additional emergency stop switch	○	○
			Main isolator switch for electrical system	○	○
			Service doors lockable	●	●
			Crane lifting points	●	●
			Engine compartment lighting	○	○

Key: ● Standard ○ Option



UNIDACHS 740



UNIDACHS 740

UNIDACHS Series 7

Operator's cabin	7 Series Heavy Metal	7 Series Hard Rock
Lockable, spacious, sound-insulated driver's cab manufactured in accordance with the latest ergonomic requirements	●	●
Large high-resolution control unit with colour display, versatile setting, control and monitoring options	●	●
Air conditioning	●	●
Comfort seat with lap belt	●	●
Safety glass windows	●	●
FOPS Safety guard, front screen	●	●
Heat protection wire mesh screen	●	○
Storage compartments	●	●
FOPS Safety guard, roof	○	○
Hand-held fire extinguisher (cabin)	●	●
First aid kit	●	●
Tool kit	●	●
Auxiliary heating system	○	○
Dust protection system	○	○
Bullet proof front screen	○	○
Bullet proof roof window	○	○
Tilttable driver's cab (30° tilttable)	○	○
Camera system 270° Bird View (consisting of 3 cameras)	○	○
Camera system (1x rear camera / 1x right hand side camera)	○	○
Additional radio remote control	○	○

Drive unit options	7 Series Heavy Metal	7 Series Hard Rock
Diesel engine, 180 kW, 6 cylinders, EU Stage V / USA Tier4final	●	●
Diesel engine 160 kW USA Tier 3, EU Stage IIIA (non EU/USA)	●	●
Electric drive, 132 kW with 25m cable	○	○
Radio remote Control	7 Series Heavy Metal	7 Series Hard Rock
Remote control via radio transmission	●	●
Remote control via cable	●	●
2 Joysticks	●	●
Illuminated colour display	●	●
Operating mode selector switch	●	●
Single-hand drive mode	●	●
Tool control	●	●
Radio frequency 16 channels 433/434 MHz	●	●
Radio frequency 16 channels 535 MHz	○	○
Radio frequency 16 channels 461 MHz	○	○
Emergency stop button on transmitter unit	●	●
Hip belt carrying system	●	●
Accessoires	7 Series Heavy Metal	7 Series Hard Rock
Emergency first aid kit	●	●
Storage compartments	●	●
Tool kit	●	●

Key: ● Standard ○ Option



COMFTABLE



PRECISE

UNIDACHS Series 7

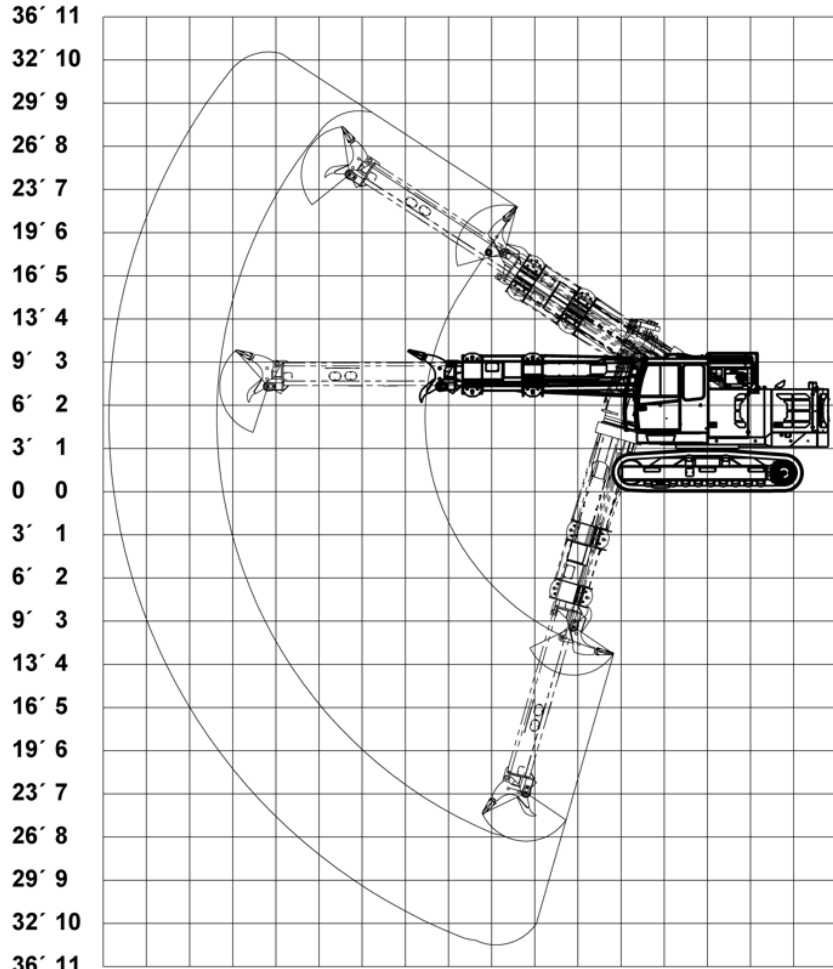
Cradle & Telescopic Boom	7 Series Heavy Metal	7 Series Hard Rock
Telescopic stroke 4,000 mm	●	●
Rotation 360°, continuous, endless	●	●
Headpiece telescopic boom in flange design	○	○
Dirt deflector between main boom and inner boom	○	●
Covers for boom guide rollers	○	○
Additional hose tray for hydraulic or pneumatic tools	○	○
Bumper plates main Boom	○	●
Central lubrication system cradle	○	○
Overload warning system	○	○
Lighting	7 Series Heavy Metal	7 Series Hard Rock
Lighting package: 2x LED work lights upper structure front, 1x LED work light cradle, 1x LED rotating beacon yellow	●	●
Extended lighting package: 2x LED worklights cabin roof, 1x LED worklight cradle	○	○
Lighting package: 2x LED worklights upper structure front, 2x LED worklights upper structure rear, 2x LED worklights cab roof, 3x LED worklights cradle, 1x LED rotating beacon yellow	○	●
Additional LED lighting	○	○
Blue spot light in the rear area	○	○
Safety perimeter ground marking Red light projection	○	○

Attachment tools	7 Series Heavy Metal	7 Series Hard Rock
Boom extension integrated	○	○
Boom extension bolted	○	○
Single ripper hook	○	○
Double ripper hook	○	○
Hydraulic hammer	○	○
Pneumatic hammer	○	○
Rotary drum cutter	○	○
Demolition shears	○	○
Hydraulic grab	○	○
Various sized buckets	○	○
Ditching bucket	○	○
Ripper bucket	○	○
Back hoe bucket	○	○
Drilling attachment	○	○
Mechanical quick coupler	○	○
Concrete spray nozzles	○	○
Bow setting device	○	○
Single-point lifting bail	○	○
Porous plug pusher	○	○
Tap hole drill	○	○
EBT Drill	○	○

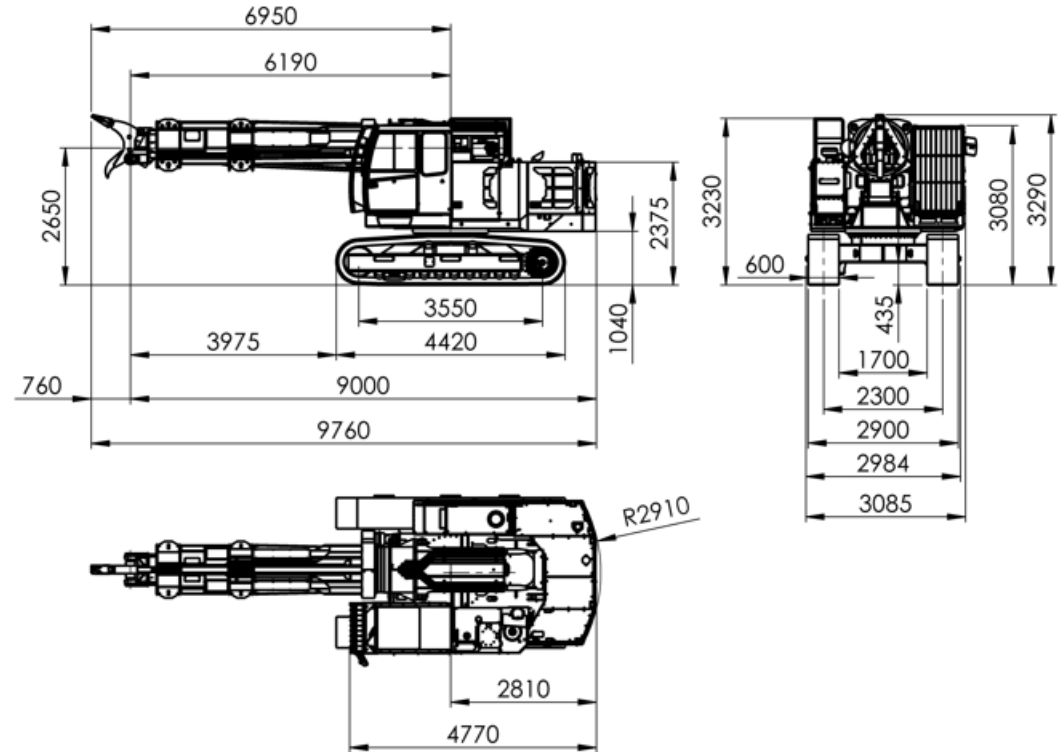
Key: ● Standard ○ Option

740

» Kinematics and dimensions

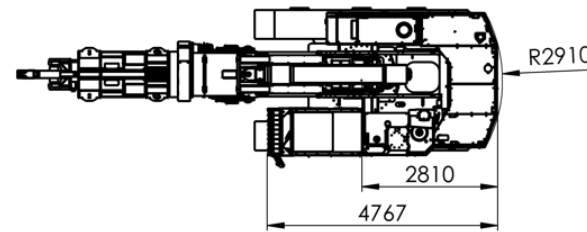
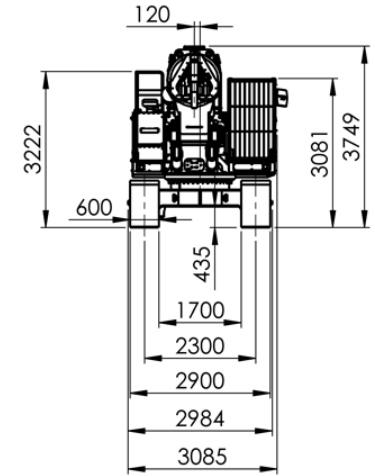
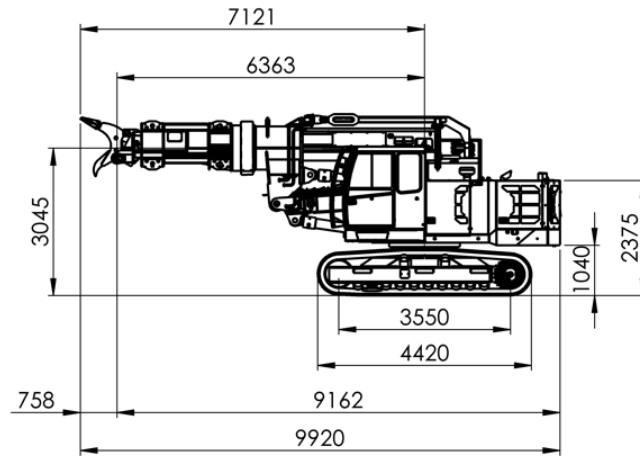
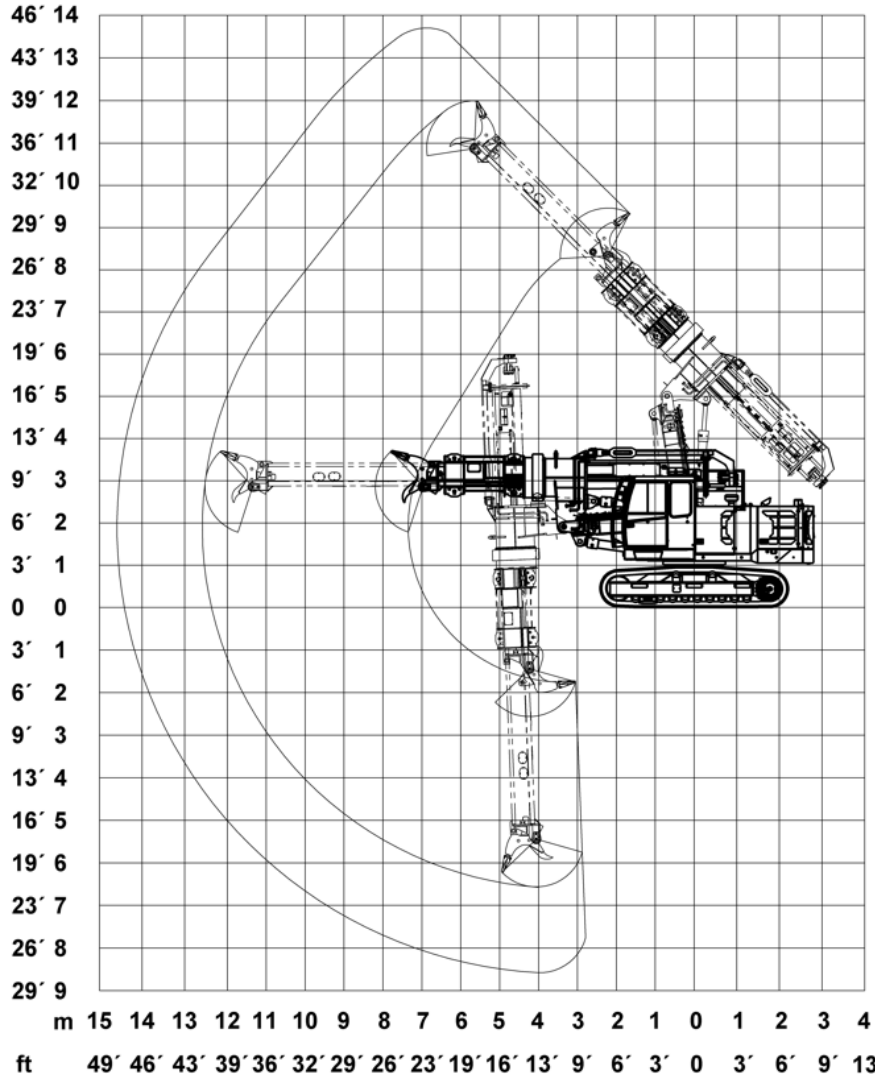


m	14	13	12	11	10	9	8	7	6	5	4	3	2	1	0	1	2	3
ft	46'	42'	39'	36'	32'	29'	26'	23'	19'	16'	13'	9'	6'	3'	0	3'	6'	9'



740K

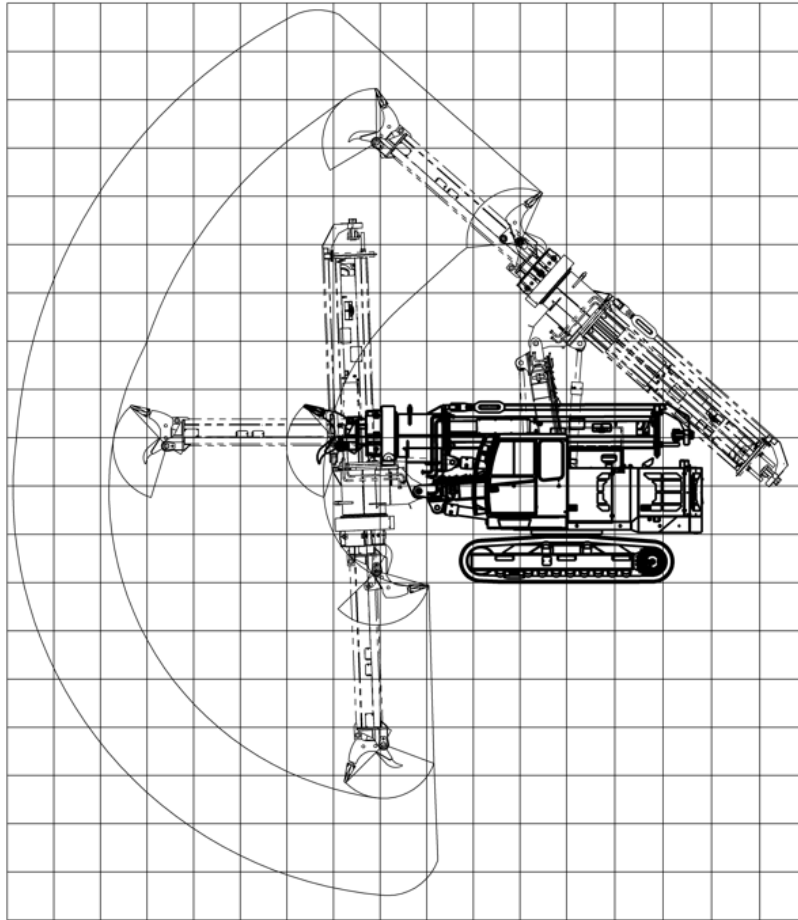
» Kinematics and dimensions



736K

» Kinematics and dimensions

39' 12
36' 11
32' 10
29' 9
26' 8
23' 7
19' 6
16' 5
13' 4
9' 3
6' 2
3' 1
0 0
3' 1
6' 2
9' 3
13' 4
16' 5
19' 6
23' 7



m	12	11	10	9	8	7	6	5	4	3	2	1	0	1	2	3	4	5
ft	39'	36'	32'	29'	26'	23'	19'	16'	13'	9'	6'	3'	0	3'	6'	9'	13'	16'

