

TMI GROUP

Technical Datasheet

UNIDACHS

4



**Operating weight: approx. 17.000 kg,
Diesel drive with 95 kW, alternatively electric drive with 75 - 90 kW
Telescopic stroke: 3.000 mm**

»» Technical specifications

430

Crawler undercarriage		Tyre mounted undercarriage		Diesel drive	
Crawler chain	B2	Tyres	7.00 – 20.00 Twin tyres	Diesel engine (EU/USA)	DEUTZ AG, Stage V, 4 cylinders, Diesel engine with diesel oxidation catalyst and particulate filter AdBlue Tank capacity:10 liters
Base plates	Triple grouser, HD, 500 mm	Gradability	23,7 %	Diesel engine (non EU/USA)	DEUTZ AG, USA Tier 3, EU Stage IIIA, 4 cylinders, Diesel engine with diesel oxidation catalyst
Gradability	45 %	Outtriggers	4 pcs. (proportional) With outrigger relief	CO ₂ -neutral operation	Possible with paraffinic diesel fuel according to EN 15940
Draw bar pull	82 kN	Drive system	4-wheel drive, front axle rigid, rear axle steering with hand pump for emergency brake release	Rated power	95 kW at 2.300 min ⁻¹ (EU/USA) 91kW (non EU/USA)
Ground pressure	5.9 t/m ² (500 mm base plates)	Brakes	Hydraulic brake system	Engine capacity	3621cm ³ EU/USA 4038cm ³ non EU/USA
Drive system	Stepless hydrostatic traction drive, independent drive for each track side	Steering	Hydraulic circuit for steering axle	Torque	490 Nm at 1.500 min ⁻¹
Brakes	Spring set, hydraulically released wet multi disc brake	Travel speed	0 - 18 km/h	Cooling	Fluid
Parking brake	Wet multi-disc brake, wear-free, automatic activation when joystick is in neutral position	Hydraulic system		Air Filter	2-stage, with electrical contamination indicator
Travel speed	0 – 3.2 km/h	Type	Load-Sensing	Fuel tank capacity	230 Liter
		Operating pressure	330 Bar	Electro drive 3-Phase (alternative)	
		Hydraulic oil tank capacity	365 Liter	Rated power	75 kW at 50 Hz 90 kW at 60 Hz
		Safety system	Pipe break protection on the lifting cylinders	Voltage	380 V, 400 V, 415 V or 460 V
		Pump type	Variable displacement pump	Frequency	50 Hz or 60 Hz
		Filtering	Hydraulic return filter and tank breather filter		
		Control block	Additional working circuits for attachments optionally available		

430

»» Technical specifications

Upper structure

Hydrostatic slew drive with axial piston motor and planetary gear.	
Rotation	360°, continuous, endless
Rotation speed	0 – 5.2 min ⁻¹
Slewing brake	Spring set, hydraulically released wet multi disc brake

Cradle & Telescopic boom

Telescopic boom with integrated rotating unit. Fully enclosed design to protect the hoses and the tool cylinder against radiation heat and falling objects.

Max. range	9,200 mm
Telescopic stroke	3,000 mm
Rotation	360°, continuous endless
Boom rotation speed	0 – 11 min ⁻¹
Boom rotation torque	14.8 kNm
Pull and push force	56 / 114 kN
Tool ripping force	73 kN
Boom guide rollers	12 pcs.

Lighting

Upper structure front	2 x LED headlights
Upper structure rear	Optional
Cradle	1 x LED headlight
Surrounding warning light	1 x Yellow

Electrical system

System voltage	24 V
Battery	2 Pcs.

Paint

Undercarriage	Black, RAL 9005
Upper structure & Telescopic boom	Yellow, RAL 1007

Radio remote control

Operation via 2 joysticks. Illuminated colour display. Waist belt carrying system.	
Weight	4.5 kg

Operator's cabin

Cabin	Closed cabin, FOPS - Falling Object Protective Structure, robust safety front guard with fine-wire mesh in front of the wind screen against heat radiation heat
Heating and air conditioning	Air conditioning and heating installed
Driver's seat	Mechanically spring suspended, fully adjustable comfort seat. Joysticks are mounted on armrest, lap belt, pilot safety lever on driver's seat.
Glazing	Heat-resistant safety glass
Monitoring	Display: Indication of current machine data, automatic monitoring of operating status
Surround noise level LWA	103 db (A)
Inside cab noise level LpA	75 db (A)



RELIABLE



PRODUCTIVE

UNIDACHS - The best answer to extreme conditions

Crawler undercarriage	4 Series Heavy Metal	4 Series Hard Rock
Chain sealed with lifetime lubrication	●	●
Base plates, Triple grouser, HD, 500 mm	●	●
Rubber vulcanized tracks	○	○
Rubber pads for base plates	○	○
2nd driving stage for two driving speeds	○	○
Towing circuit	○	○
Front clearing blade	○	○

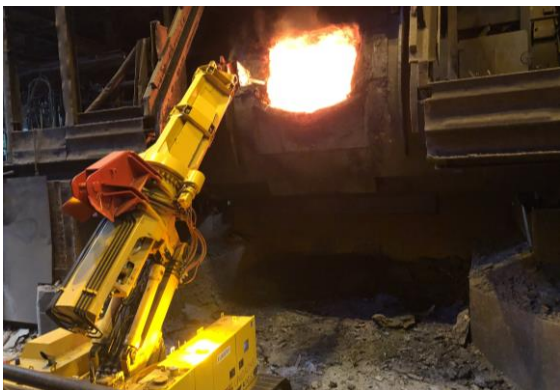
Tyre undercarriage (P version)	4 Series Heavy Metal	4 Series Hard Rock
Undercarriage with tyre running gear and 4-point outriggers. Twin tyres 10.00 – 20.00	●	●
Front clearing blade (2-point outriggers instead of 4-point support)	○	○

Upper structure	4 Series Heavy Metal	4 Series Hard Rock
Rotation 360°, continuous endless	●	●
Central lubrication system for upper structure and cradle	○	○
Arctic Pack (hydraulic oil, engine and fuel preheating)	○	○
Rear and side bumper	○	○
Fire extinguishing system	○	○
Hand-held fire extinguisher (6 kg) in protective box, attached to the upper structure	○	○
Refuelling pump	○	○
Connection for external starting aid	○	○
Additional emergency stop switch	○	○
Main isolator switch for electrical system	○	○
Service doors lockable	●	●
Crane lifting points	●	●
Engine compartment lighting	○	○

Key: ● Standard ○ Option



UNIDACHS 430K



UNIDACHS 430RK

UNIDACHS Series 4

Operator's cabin	4 Series Heavy Metal	4 Series Hard Rock
Lockable, spacious, sound-insulated driver's cab manufactured in accordance with the latest ergonomic requirements	●	●
Large high-resolution control unit with colour display, versatile setting, control and monitoring options	●	●
Air conditioning	●	●
Comfort seat with lap belt	●	●
Safety glass windows	●	●
FOPS Safety guard, front screen	●	●
Heat protection wire mesh screen	●	○
Storage compartments	●	●
FOPS Safety guard, roof	○	○
Hand-held fire extinguisher (cabin)	●	●
First aid kit	●	●
Tool kit	●	●
Auxiliary heating system	○	○
Dust protection system	○	○
Bullet proof front screen	○	○
Bullet proof roof window	○	○
Tiltable driver's cab (30° tiltable)	○	○
Camera system 270° Bird View (consisting of 3 cameras)	○	○
Camera system (1x rear camera / 1x right hand side camera)	○	○
Additional radio remote control	○	○

Key: ● Standard ○ Option

Drive unit options	4 Series Heavy Metal	4 Series Hard Rock
Diesel engine, 95 kW, 4 cylinders, EU Stage V / USA Tier4final	●	●
Diesel engine 91 kW USA Tier 3, EU Stage IIIA (non EU/USA)	●	●
Electric drive, 75 kW with 25m cable	○	○
Radio remote Control	4 Series Heavy Metal	4 Series Hard Rock
Remote control via radio transmission	●	●
Remote control via cable	●	●
2 Joysticks	●	●
Illuminated colour display	●	●
Operating mode selector switch	●	●
Single-hand drive mode	●	●
Tool control	●	●
Radio frequency 16 channels 433/434 MHz	●	●
Radio frequency 16 channels 535 MHz	○	○
Radio frequency 16 channels 461 MHz	○	○
Emergency stop button on transmitter unit	●	●
Hip belt carrying system	●	●
Accessoires	4 Series Heavy Metal	4 Series Hard Rock
Emergency first aid kit	●	●
Storage compartments	●	●
Tool kit	●	●



UNIDACHS 430RK



UNIDACHS 423 - BOF Tap hole drilling and sleeve setting machine

UNIDACHS Series 4

Cradle & Telescopic Boom	4 Series Heavy Metal	4 Series Hard Rock
Telescopic stroke 3,000 mm	●	●
Rotation 360°, continuous, endless	●	●
Dirt deflector between main boom and inner boom	○	●
Covers for boom guide rollers	○	○
Additional hose tray for hydraulic or pneumatic tools	○	○
Bumper plates main Boom	○	●
Central lubrication system cradle	○	○
Overload warning system	○	○

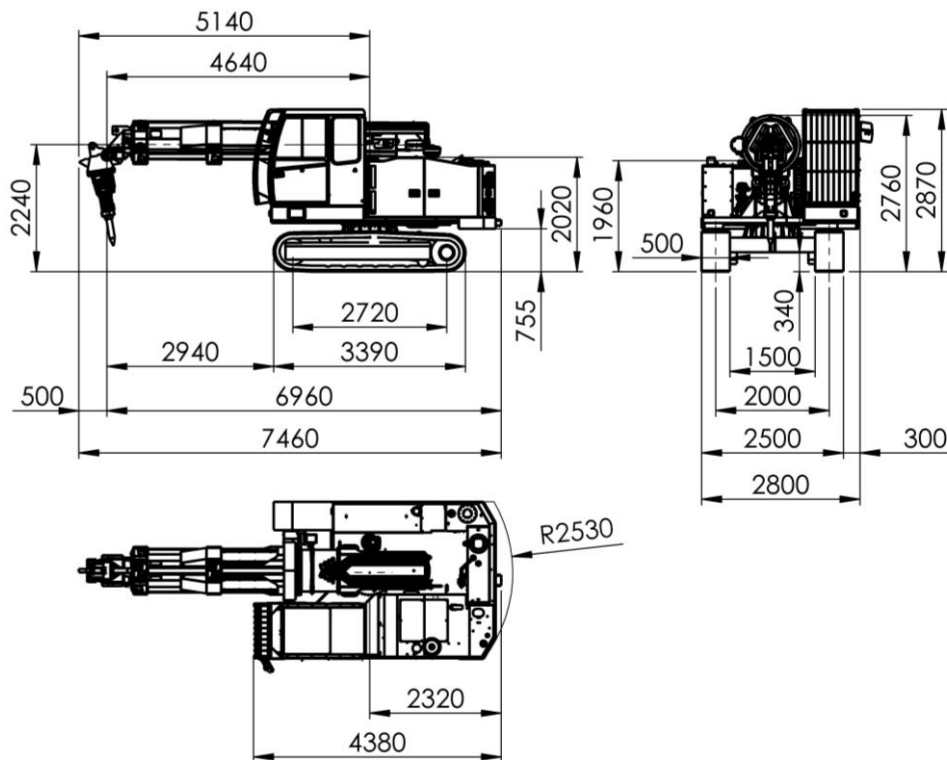
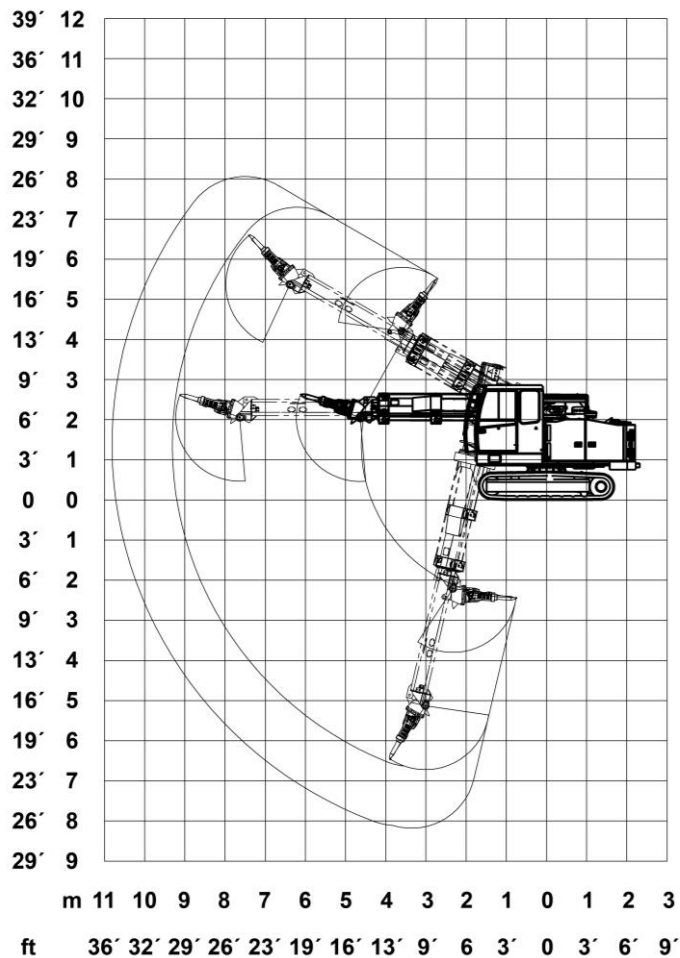
Lighting	4 Series Heavy Metal	4 Series Hard Rock
Lighting package: 2x LED work lights upper structure front, 1x LED work light cradle, 1x LED rotating beacon yellow	●	●
Extended lighting package: 2x LED worklights cabin roof, , 1x LED worklight cradle	○	○
Lighting package: 2x LED worklights upper structure front, 2x LED worklights upper structure rear, 2x LED worklights cab roof, 3x LED worklights cradle, 1x LED rotating beacon yellow	○	●
Additional LED lighting	○	○
Blue spot light in the rear area	○	○
Safety perimeter ground marking Red light projection	○	○

Attachment tools	4 Series Heavy Metal	4 Series Hard Rock
Boom extension integrated	○	○
Boom extension bolted	○	○
Single ripper hook	○	○
Double ripper hook	○	○
Hydraulic hammer	○	○
Pneumatic hammer	○	○
Rotary drum cutter	○	○
Demolition shears	○	○
Hydraulic grab	○	○
Various sized buckets	○	○
Ditching bucket	○	○
Ripper bucket	○	○
Back hoe bucket	○	○
Drilling attachment	○	○
Mechanical quick coupler	○	○
Concrete spray nozzles	○	○
Bow setting device	○	○
Single-point lifting bail	○	○
Porous plug pusher	○	○
Tap hole drill	○	○
EBT Drill	○	○

Key: ● Standard ○ Option

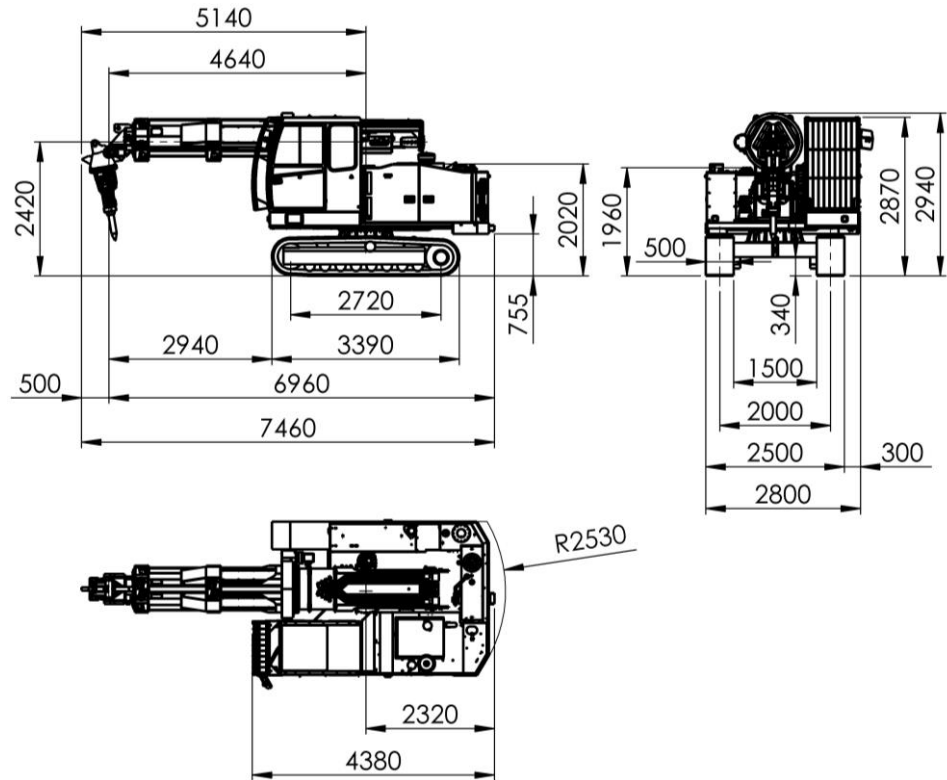
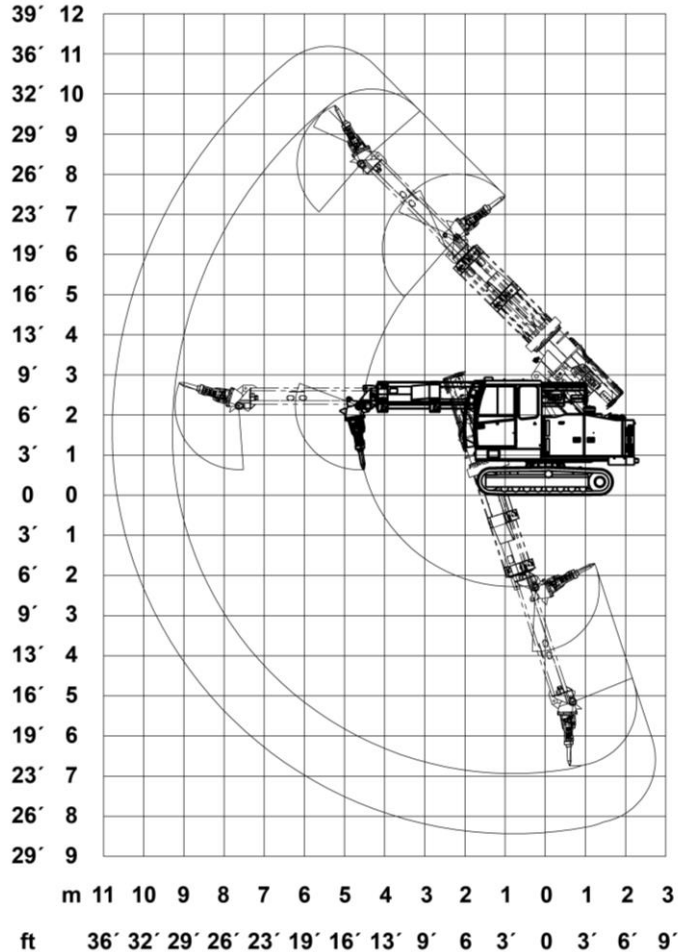
430

» Kinematics and dimensions



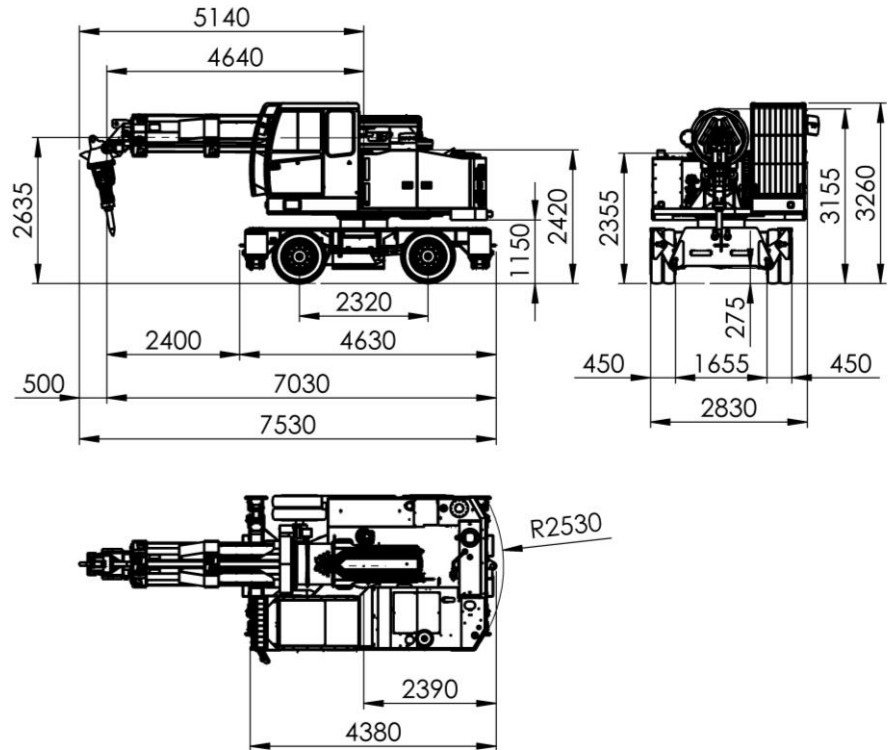
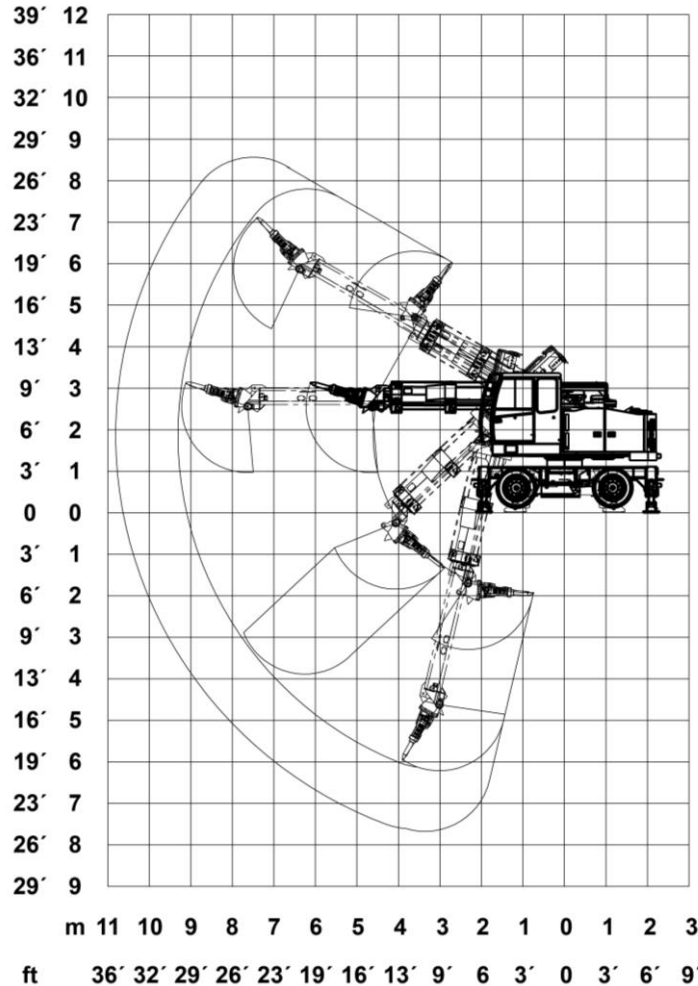
430K

» Kinematics and dimensions



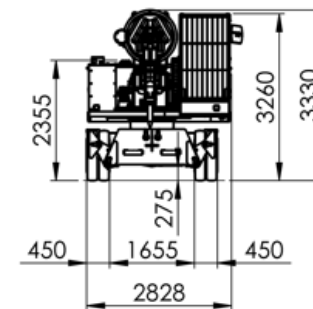
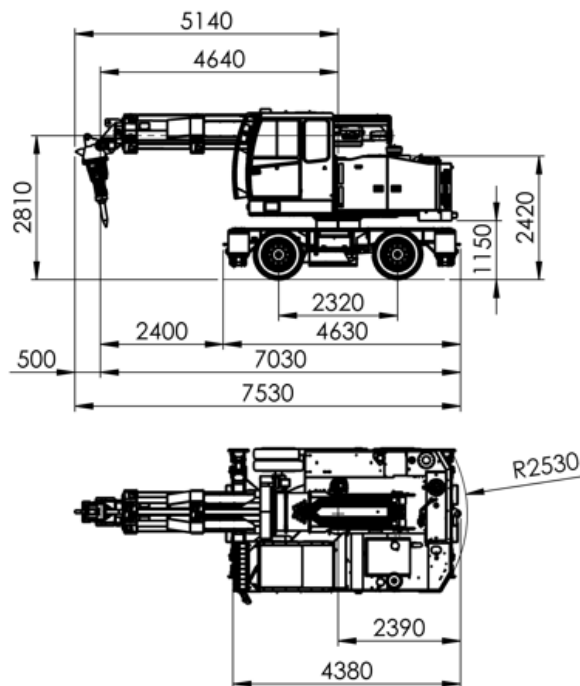
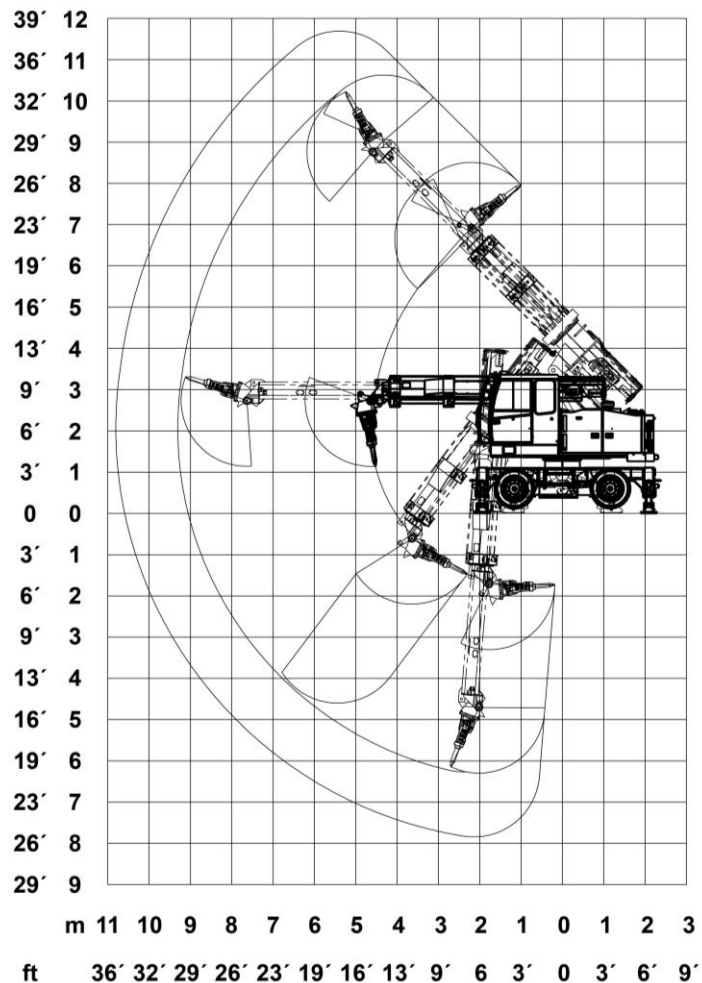
430P

» Kinematics and dimensions



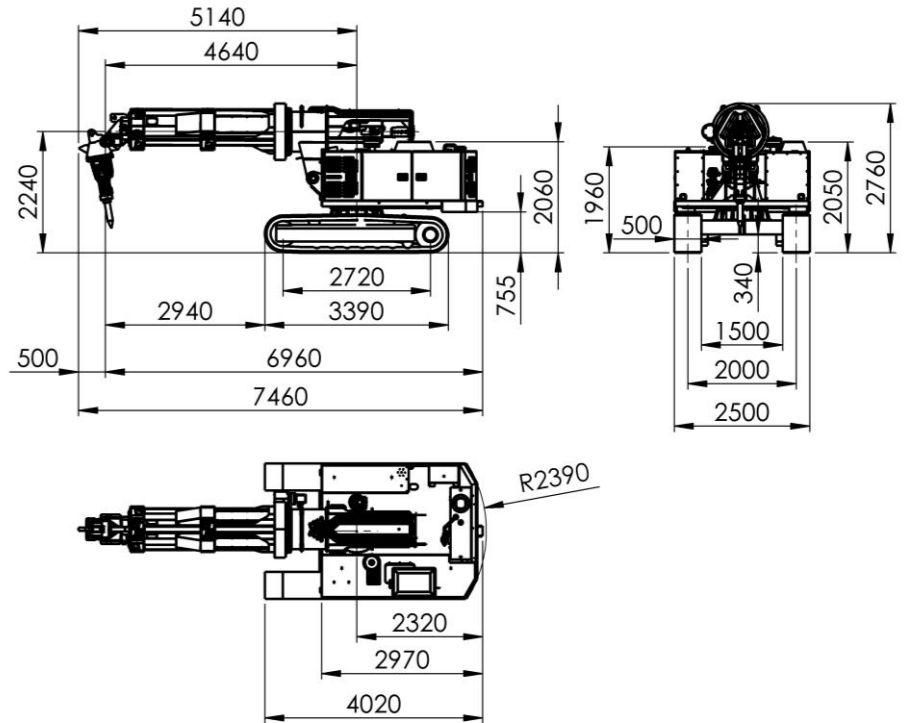
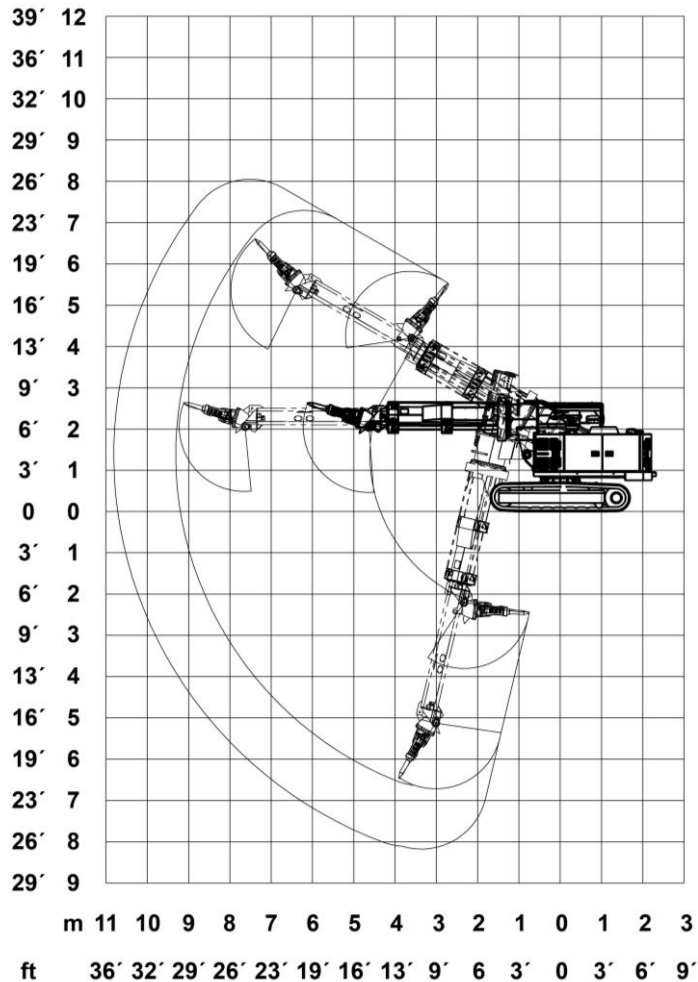
430KP

» Kinematics and dimensions



430R

» Kinematics and dimensions



» Kinematics and dimensions

430RK

